

AOU24RLXFW Submittal



ASU24RLF Inverter Driven Heat Pump

Job Name: _____
 Location: _____
 Engineer: _____
 Submitted to: _____
 Submitted by: _____
 Reference: _____

Approval: _____
 Date: _____
 Construction: _____
 Unit #: _____
 Drawing #: _____

Outdoor Unit Power 208-230/VAC-1Ph-60Hz
 Available Voltage Range 187-253VAC
 Fuse Size, Max. 30A
 MCA 18A

Compressor Inverter Driven Variable Speed DC Twin Rotary
 No. used 1
 Output 2,100W
 Lubrican Oil POE RB68

Fan type Propeller
 Motor Output 100W
 Airflow rate Cooling/Heating (High) 2,001 / 2,119CFM

Refrigerant R410A
 Outdoor unit 4lbs 10.1oz
 Control Electronic Expansion Valve
 O.D. Discharge (in) 3/8"(Flare)
 O.D Suction (in) 5/8"(Flare)

Dimensions H x W x D
 Uncrated (in) 32-3/4 x 35-3/8 x 13
 (mm) (830 x 900 x 330)
 Crated (in) 38-1/4 x 41-1/2 x 17-1/2
 (mm) (970 x 1050 x 445)

Weight Outdoor
 Net 135lbs (61kg)
 Gross Shipping 150lbs (68kg)

Cooling
 Rated Capacity 22,000BTU/h
 Min-Max Capacity 9,900~27,300BTU/h
 Rated Power Input 1.76kW
 Max. Power Input 3.42kW
 SEER 18.0
 Outdoor Sound Rating 54dB

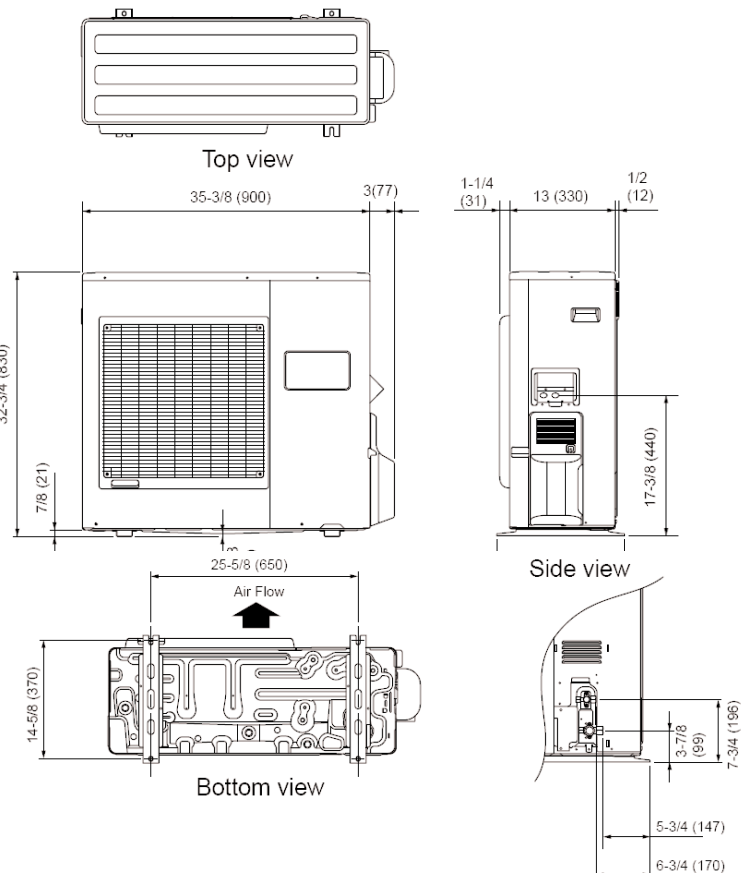
Heating
 Rated Capacity 27,600BTU/h
 Rated Power Input 2.38kW
 Max. Power Input 3.53kW
 HSPF 10.0
 Outdoor Sound Rating 55dB

Piping Lengths
 Max. Piping Length (Total) 164ft
 Max. Pipe Height Difference 98ft
 Connection method (Flared)

Operating Range
 Cooling 0°F~115°FDB
 Heating 0°F~75°F DB
 EER Cooling 12.5
 EER Heating 11.6

Fujitsu General America, Inc.
 Fairfield, NJ 07004
 Toll Free: 1-888-888-3424
 Fax: (973) 836-0447
 www.fujitsugeneral.com

Fujitsu products are subject to continuous improvements. Fujitsu reserves the right to modify product design, specifications and information in this data sheet without notice and without incurring any obligations.



Note: Specifications are based on the following conditions.

Power source of specifications : 230V

Cooling: Indoor temperature of 80°F(26.67°C)DB / 67°F(19.44°C)WB, and outdoor temperature of 95°F(35°C)DB/75°F(23.89°C)WB.

Heating: Indoor temperature of 70°F(21.11°C)DB / 60°F(15.56°C)WB, and outdoor temperature of 47°F(8.33°C)DB/43°F(6.11°C)WB.

Pipe length : 24ft. 7in.(7.5m),Height difference : 0 ft.(0m) [Outdoor unit - Indoor unit]

Indor Unit

Model ASU24RLF
Power 208-230/VAC-1Ph-60Hz
Available Voltage Range 187-253VAC

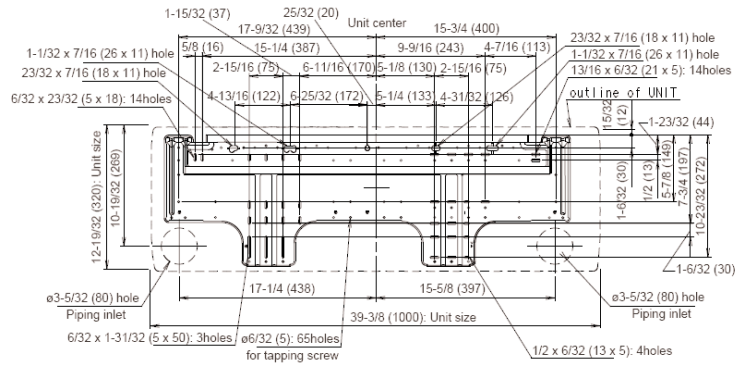
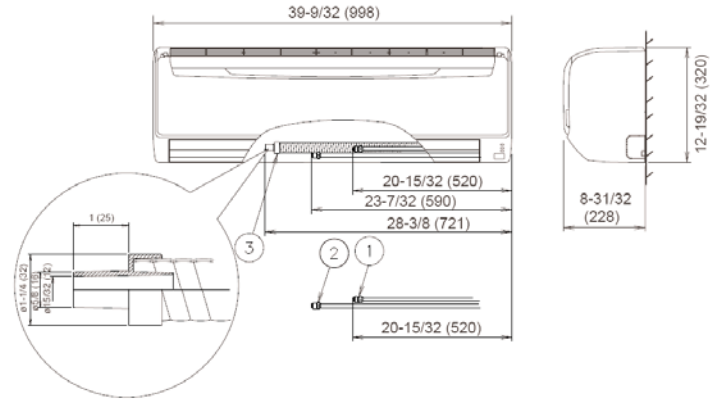
Fan
Type Cross flow
Motor Output 64W
MCA 0.3A

Sound pressure level
Cooling Lo-Hi 33-49dB
Heating Lo-Hi 33-49dB

Airflow rate
Cooling Lo-Hi 365-659CFM
Heating Lo-Hi 365-677CFM

Dimensions H x W x D
Uncrated (in) 12-5/8 x 39-1/4 x 9
 (mm) (320 x 998 x 228)
Crated (in) 12-3/5 x 42-15/16 x 16-7/8
 (mm) (319 x 1090 x 429)

Weight Outdoor
Net 31lbs (14kg)
Gross Shipping 40lbs (18kg)



The Fujitsu logo is a registered trademark of Fujitsu Limited.
 The Halcyon logo and name is a trademark of Fujitsu General America, Inc. Copyright 2011 Fujitsu General America, Inc.

Fujitsu's products are subject to continuous improvements. Fujitsu reserves the right to modify product design, specifications and information in this brochure without notice and without incurring any obligations.



FUJITSU GENERAL AMERICA, INC.
 353 Route 46 West • Fairfield, NJ 07004
 Tel: (973) 575-0380 • Fax: (973) 836-0448
 www.fujitsugeneral.com