

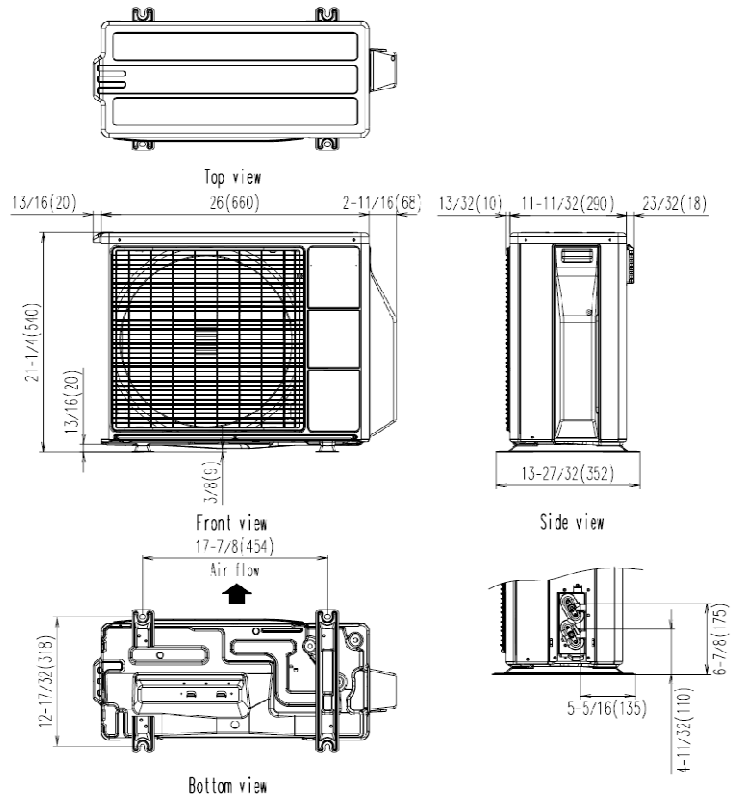
# AOU9RLFW Submittal



## Inverter Driven Heat Pump

Job Name: \_\_\_\_\_ Approval: \_\_\_\_\_  
 Location: \_\_\_\_\_ Date: \_\_\_\_\_  
 Engineer: \_\_\_\_\_ Construction: \_\_\_\_\_  
 Submitted to: \_\_\_\_\_ Unit #: \_\_\_\_\_  
 Submitted by: \_\_\_\_\_ Drawing #: \_\_\_\_\_  
 Reference: \_\_\_\_\_

<b>Outdoor Unit Power</b>	208-230/VAC-1Ph-60Hz
Available Voltage Range	187-253VAC
Fuse Size, Max.	15A
MCA	7.5A
<b>Compressor</b>	Inverter Driven Variable Speed DC Twin Rotary
No. used	1
Output	500W
Lubrican Oil	POE RB68
<b>Fan type</b>	Propeller
Motor Output	23W
Airflow rate	Cooling/Heating (High) 945 / 906CFM
<b>Refrigerant</b>	R410A
Outdoor unit	1lbs 14oz
Control	Electronic Expansion Valve
O.D. Discharge (in)	1/4"(Flare)
O.D Suction (in)	3/8"(Flare)
<b>Dimensions</b>	H x W x D
Uncrated (in)	21-11/32 x 22 x 11-11/32
(mm)	(540 x 660 x 290)
Crated (in)	24-1/16 x 31-3/8 x 15-25/32
(mm)	(611x 797 x 401)
<b>Weight</b>	Outdoor
Net	60lbs (61kg)
Gross Shipping	67lbs (68kg)
<b>Cooling</b>	
Rated Capacity	9,000BTU/h
Min-Max Capacity	1,700~10,900BTU/h
Rated Power Input	0.65kW
Max. Power Input	1.27kW
SEER	23.0
EER	13.8
Outdoor Sound Rating	48dB
<b>Heating</b>	
Rated Capacity	12,000BTU/h
Min-Max Capacity	1,700~15,000BTU/h
Rated Power Input	0.89kW
Max. Power Input	1.60kW
HSPF	11.0
EER	13.47
Outdoor Sound Rating	48dB
<b>Piping Lengths</b>	
Max. Piping Length (Total)	66ft
Max. Pipe Height Difference	49ft
Connection method	(Flared)
<b>Operating Range</b>	
Cooling	14°F~115°FDB
Heating	5°F~75°F DB



Fujitsu General America, Inc.  
 Fairfield, NJ 07004  
 Toll Free: 1-888-888-3424  
 Fax: (973) 836-0447  
 www.fujitsugeneral.com

Fujitsu products are subject to continuous improvements. Fujitsu reserves the right to modify product design, specifications and information in this data sheet without notice and without incurring any obligations.

Note: Specifications are based on the following conditions.

Power source of specifications : 230V

Cooling: Indoor temperature of 80°F(26.67°C)DB / 67°F(19.44°C)WB, and outdoor temperature of 95°F(35°C)DB/75°F(23.89°C)WB.

Heating: Indoor temperature of 70°F(21.11°C)DB / 60°F(15.56°C)WB, and outdoor temperature of 47°F(8.33°C)DB/43°F(6.11°C)WB.

Pipe length : 24ft. 7in.(7.5m), Height difference : 0 ft.(0m) [Outdoor unit - Indoor unit]



**Indor Unit**

**Model** ASU9RLF  
**Power** 208-230/VAC-1Ph-60Hz  
**Available Voltage Range** 187-253VAC

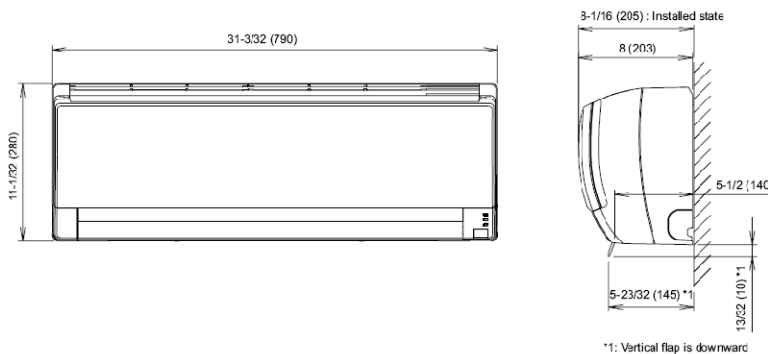
**Fan**  
**Type** Cross flow  
**Motor Output** 30W  
**MCA** 0.4A

**Sound pressure level**  
**Cooling** Lo-Hi 23-43dB  
**Heating** Lo-Hi 24-43dB

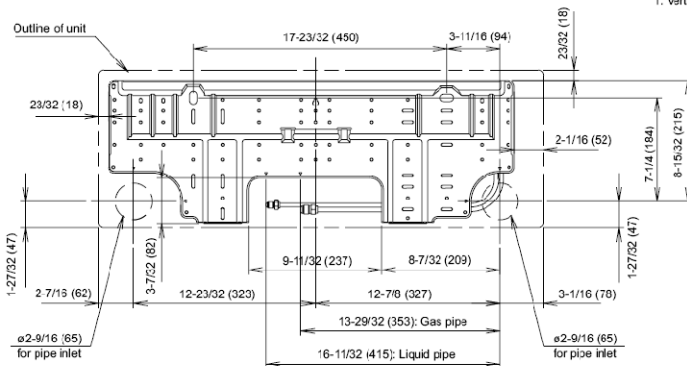
**Airflow rate**  
**Cooling** Lo-Hi 182-441 CFM  
**Heating** Lo-Hi 194-441CFM

**Dimensions** H x W x D  
**Uncrated** (in) 10-13/16 x 31-1/8 x 8-1/2  
 (mm) (275 x 790 x 215)  
**Crated** (in) 10-11/32 x 33-1/16 x 14-25/32  
 (mm) (263 x 840 x 375)

**Weight** Indoor  
**Net** 18lbs (8kg)  
**Gross Shipping** 24lbs (10.5kg)



\*1: Vertical flap is downward



Fujitsu General America, Inc.  
 Fairfield, NJ 07004  
 Toll Free: 1-888-888-3424  
 Fax: (973) 836-0447  
 www.fujitsugeneral.com

Fujitsu products are subject to continuous improvements. Fujitsu reserves the right to modify product design, specifications and information in this data sheet without notice and without incurring any obligations.